



Installation Guide

**HAR
TRU**

System Components

- Luminaire/Lamp
- Universal Crossarm
- Twin or Quad Coupling
- Poles (Anchor Base or Direct Embedded)
- Decorative Shroud
- Anchor Base and Cover
- Anchor Bolts
- Anchor Bolt Template



System Components



Universal Crossarm



Luminaire/Lamp



Twin or Quad Couplings



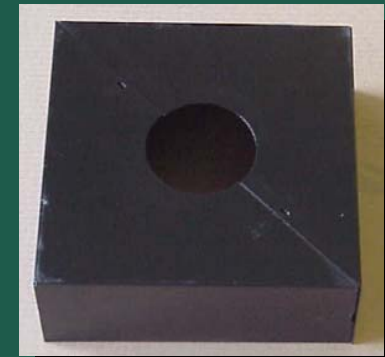
System Components



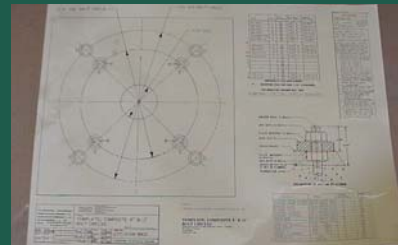
Poles (Anchor base or Direct Embedded)



Decorative Shroud



Anchor Base and Cover



Anchor Bolt Template



Anchor Bolts

Warnings

- Disconnect power before installation or service due to risk of electrical shock and high temperatures inside fixtures.
- Install, operate, and maintain to meet all applicable codes
- Labeled ballast voltage must match supply voltage
- Protect all wiring connections with approved insulators (by others).



Warnings

- Supply wire temperature rating must comply with that on label affixed to fixture
- Due to high temperatures, ensure that internal wiring, excluding lead wires from reflector assembly, does not come in contact with reflector assembly or ballast
- Ensure that all retaining hardware is securely tightened

Getting Started

- First, open carton and remove luminaire
- Installation instructions and lamp will be visible through lens



Electrical Connections

- Remove lens door by loosening two captive door screws
- Remove ballast cover barrier by loosening retaining screws to gain access into the ballast compartment



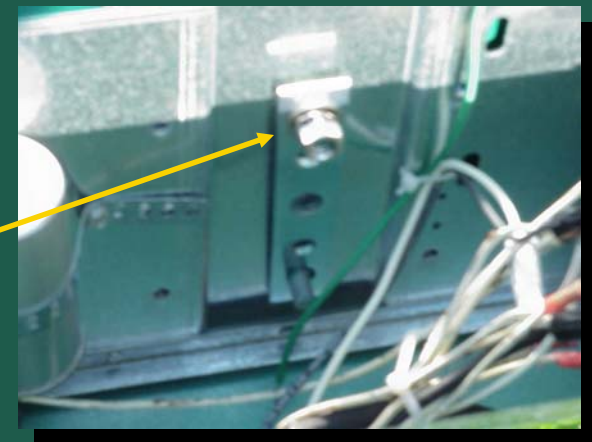
Electrical Connections

- Verify that the fixture wiring matches supply voltage
- Connect wiring to current local and national electric codes
- Tie knot in the end of the incoming supply lead
- Leads are labeled with voltage (Quad taps are 120V, 208V, 240V, or 277V)
- 480V has common and hot leg connection (wiring diagrams included)



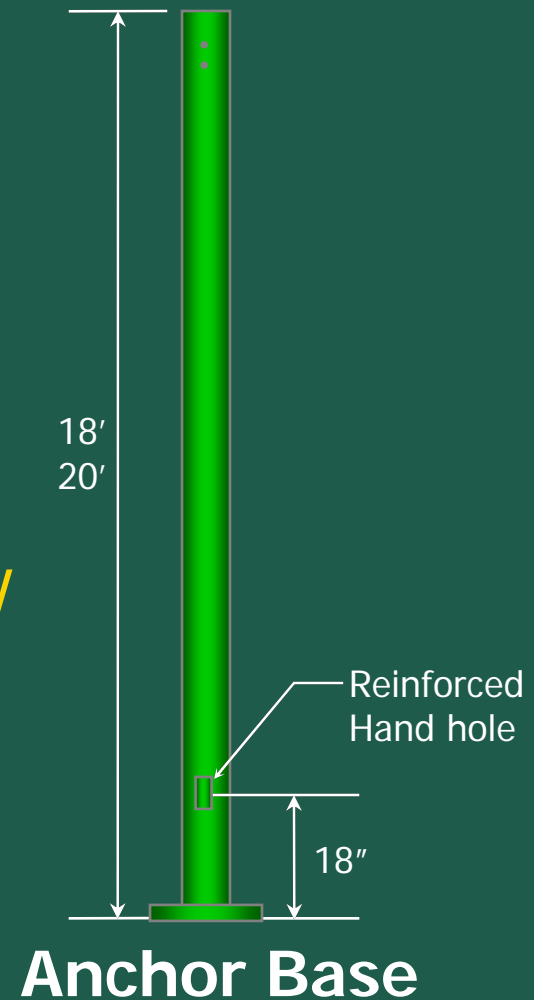
Fixture to Arm Installation

- Insert two studs extending from the arm into the fixture so they project inside the ballast compartment
- Pull incoming supply leads through hole in luminaire and through arm
- Secure fixture to arm with nuts, washers, and bolt plate provided



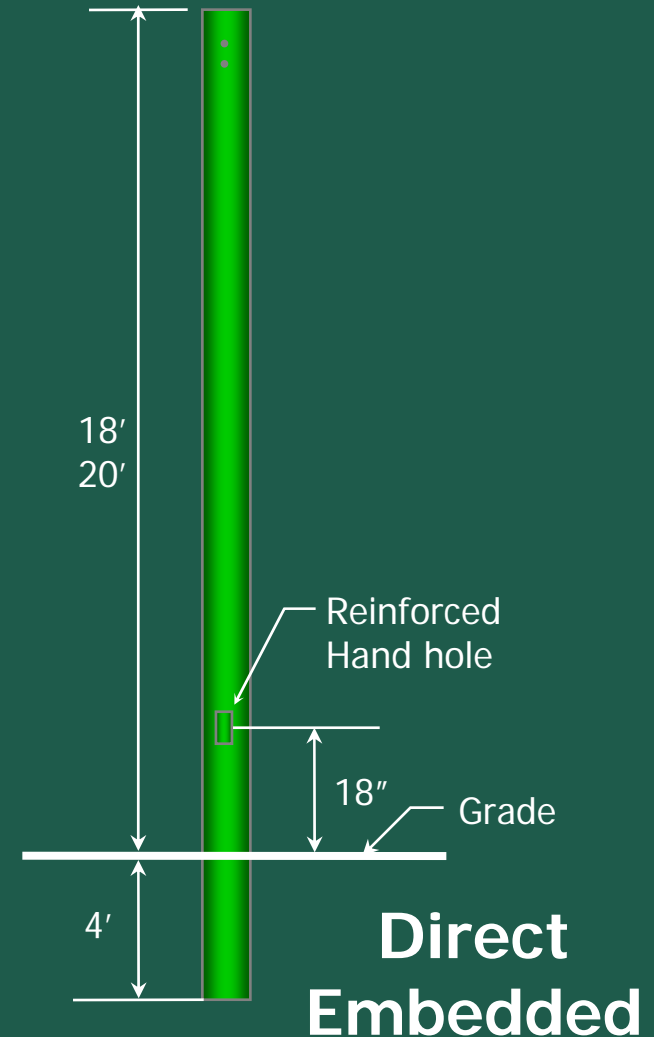
Poles: Anchor Base

- Mounting of anchor base poles requires a foundation design and holes dug to allow the insertion of anchor bolts in a concrete backfill
- The anchor bolts must be plumbed and oriented correctly before the concrete sets up
- Anchor base poles include: 1) Anchor bolts, 2) Template, 3) Base cover



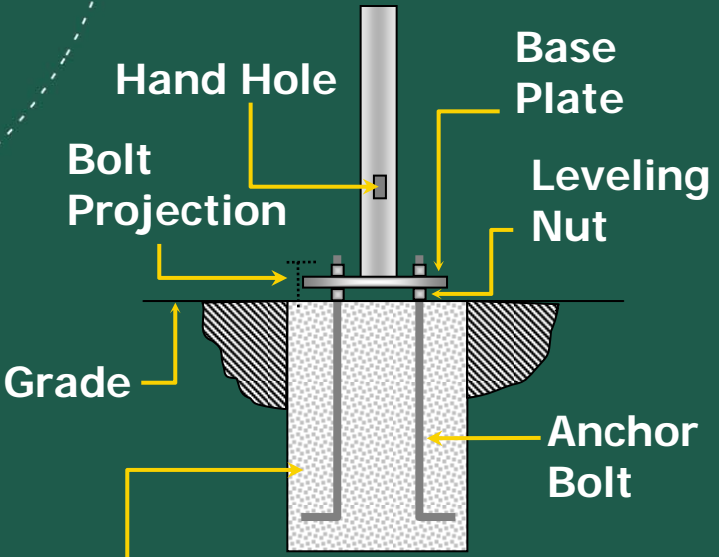
Poles: Direct Embedded

- Mounting of direct embedded poles requires a foundation design and holes dug to allow the insertion of the lower shaft in a concrete backfill
- The pole must be plumbed and oriented correctly before the concrete sets up



Foundations

Anchor Base

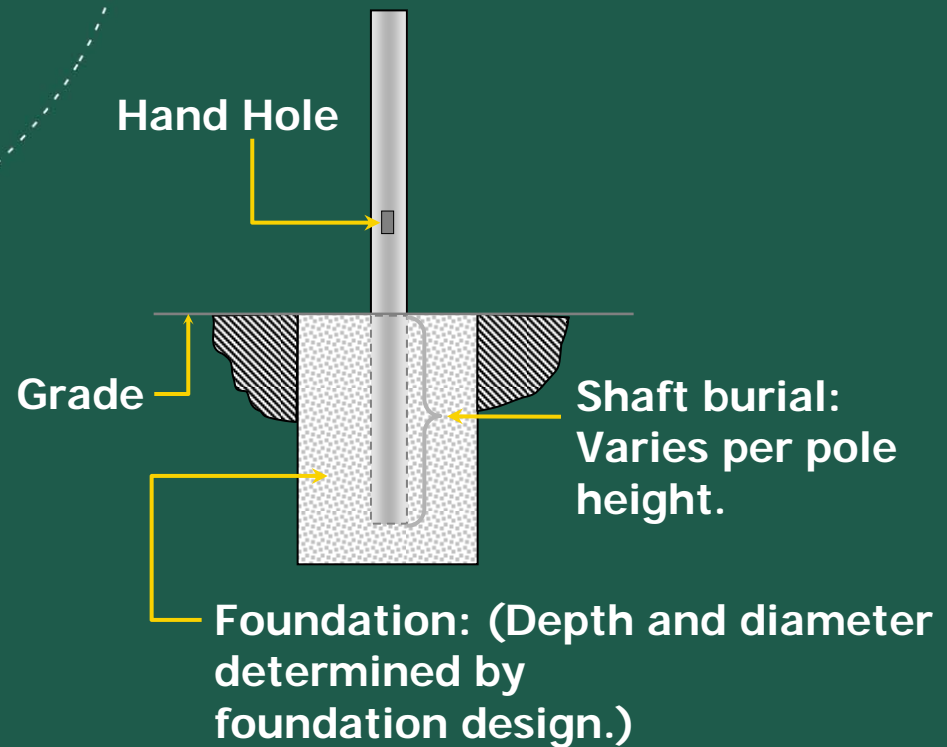


Foundation: (Depth and diameter determined by foundation design).



Foundations

Direct Embedded



Poles

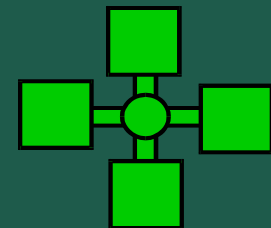
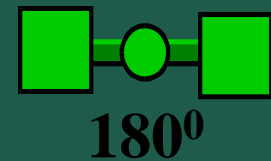
Once the poles have been erected and the concrete has cured, the brackets and fixtures may be mounted



Arms to Pole Installation



- If two luminaires are required on pole, the twin intermediate mounting bracket must be used
- If four, the quad intermediate mounting bracket must be used



Arms to Pole Installation

- Insert arm into either pole, twin or quad bracket
- After proper alignment of luminaire/arm to the court(s), tighten the set screws



Final Steps

- Attach the aesthetic cover if dual or quad bracket is used
- Touch up any scratches that have occurred during installation
- If anchor base poles were used, the base covers should be put in place
- Energize system and visually review each fixture for proper operation
- Lamp color can vary until 100 hours of operation have occurred

